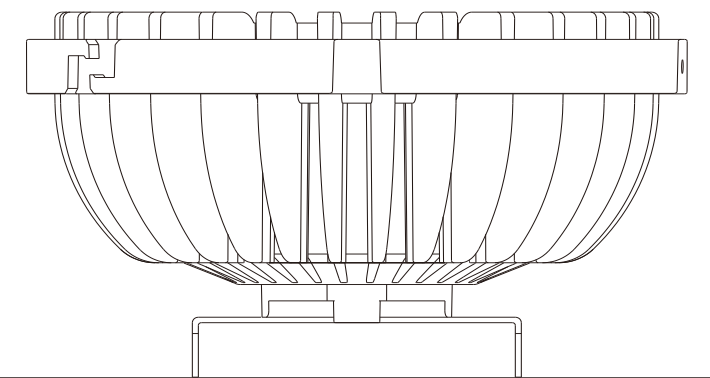
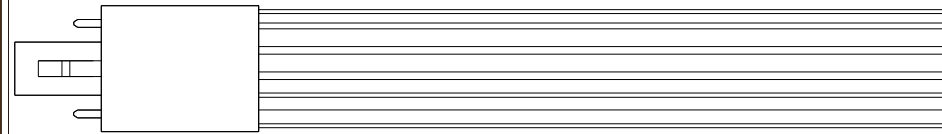


AUGE

2023

LED replacement light source lighting products



SHENZHEN AUGE LIGHTING CO.,LTD

Add: Building 1-6, Tongfuyu Industrial Zone,
Aiqun Road, Shiyan Street, Baoan District,
Shenzhen, Guangdong, China
TEL: +86 0755-81733758/32910423
FAX: +86 0755-81738190
www. auge-led.com
info@auge-led.com



Company Philosophy
 AUGE pays attention to design
 AUGE focuses on research and development
 AUGE focuses on innovation
 AUGE pays attention to customer experience
 AUGE only does the best

- LED AR111 P1
- LED AR111 G53 P2
- LED AR111 GU10 P3
- LED AR111 GX8.5 P4
- G23 / GX23 PL Lamp P5-P6
- 2G7 / 2GX7 PL Lamp P7-P8
- G24 / GX24 PL Lamp P9-P11

www.auge-led.com

Company Profile
 Shenzhen AUGE Lighting Co., Ltd is a professional LED commercial light manufacturer based in China, integrating the R&D, manufacturing, sales and after-sales support of LED light products. Its product range covers LED window light, LED linear light, LED track light, LED high bay light etc., providing energy-efficient lighting solutions to commercial, hotel, general and industrial premises.

AUGE operates a complete and scientific quality management system, which is based on the precise photoelectric detection devices, advanced manufacturing equipments, strict quality detection system and the compliance of ISO9000 International Quality Management Operation System to assure quality. It endeavors to achieve the goal that all LED lights produced in AUGE are high quality, reliable and high performance products.

As one of the advanced high-tech enterprises in the LED light industry, AUGE owns the powerful development, research and manufacturing ability and possesses a number of senior managerial staff and professional R & D team, all of whom are senior experts in LED light industry, including those on power supply, structural design, optical design and heat dispersion field.

All of our products are managed to meet the requirements of international quality certificates and most of our products are CE, ROHS, FCC etc. certified. They are mostly exported to Europe, America, Japan, and Singapore, Taiwan and other countries and regions around the world.

AUGE is committed to taking social responsibility, producing excellent quality & eco-friendly led light products to light up the world, promoting environment sustainability as well as self-improvement and innovation.

info@auge-led.com

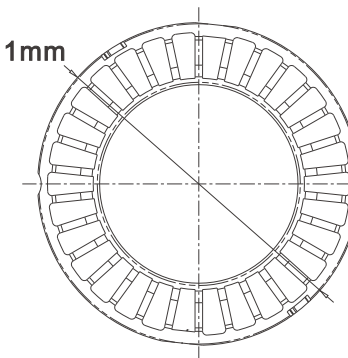


LED AR111 Lamp

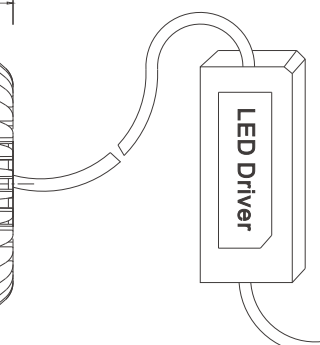
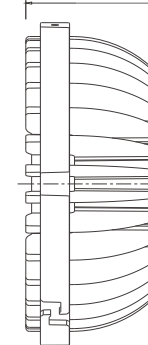
**PHILIPS
OSRAM**



D111mm



46mm



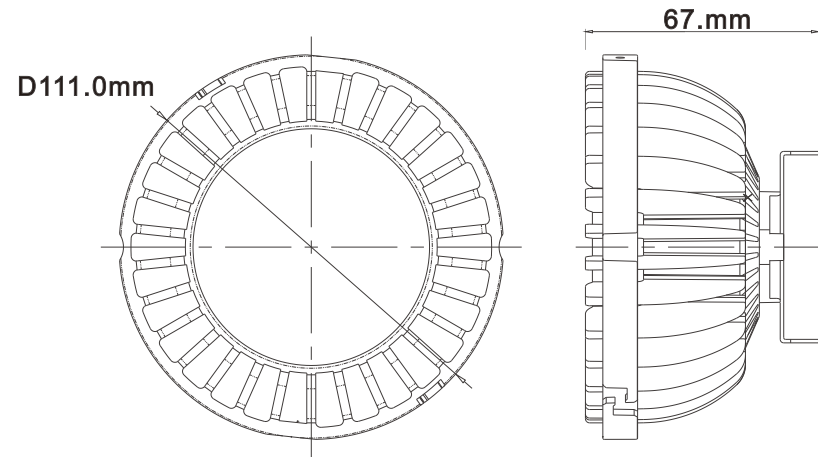
Ordering Guide

Product Code	MX-AR111-25W	MX-AR111-30W	MX-AR111-35W
Power	25W	30W	35W
Input Voltage	AC85~265V	AC85~265V	AC85~265V
LEDs	24pcs 3030 SMD	30pcs 3030 SMD	36pcs 3030 SMD
Lumen Output	2200~2400lm	2800~3000lm	3300~3400lm
Housing Color	Silver / White / Black	Silver / White / Black	Silver / White / Black
Beam Angle	10°/15°/25°/45°/60°	10°/15°/25°/45°/60°	10°/15°/25°/45°/60°
Power Factor	>0.92	>0.92	>0.92
Color Temp.	2800~3200K	2800~3200K	2800~3200K
	4000~4500K	4000~4500K	4000~4500K
CRI	5700~6500K	5700~6500K	5700~6500K
	>80 / >90	>80 / >90	>80 / >90
Dimension	D111xH46mm	D111xH46mm	D111xH46mm
Warranty	3Y ears	3Y ears	3Y ears



LED AR111 G53 Lamp

PHILIPS OSRAM



Ordering Guide

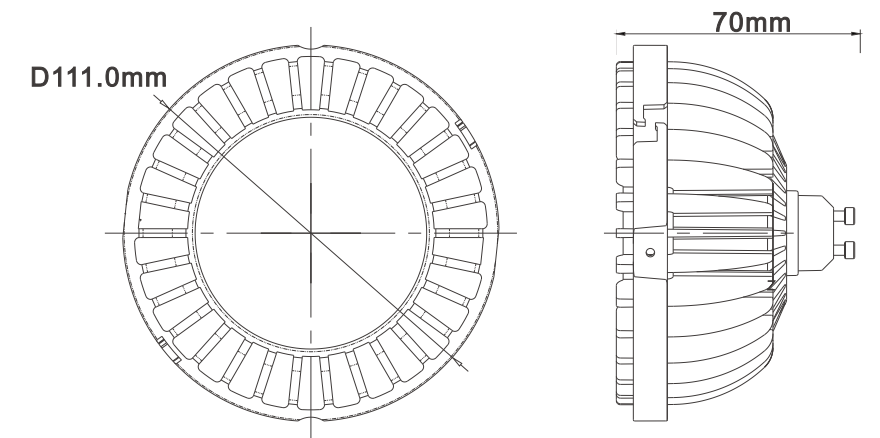
Product Code	MX-AR111-G53-18W	MX-AR111-G53-20W	MX-AR111-G53-25W
Power	18W	20W	25W
Input Voltage	AC85~265V	AC85~265V	AC85~265V
LEDs	16pcs 3030 SMD	18pcs 3030 SMD	24pcs 3030 SMD
Lumen Output	1600~1800lm	1900~2000lm	2300~2500lm
Housing Color	Silver / White / Black	Silver / White / Black	Silver / White / Black
Beam Angle	10°/15°/25°/45°/60°	10°/15°/25°/45°/60°	10°/15°/25°/45°/60°
Power Factor	>0.92	>0.92	>0.92
Color Temp.	2800~3200K	2800~3200K	2800~3200K
	4000~4500K	4000~4500K	4000~4500K
	5700~6500K	5700~6500K	5700~6500K
CRI	>80 / >90	>80 / >90	>80 / >90
Dimension	D111xH67mm	D111xH67mm	D111xH67mm
Warranty	3Y ears	3Y ears	3Y ears

P2



LED AR111 GU10 Lamp

PHILIPS OSRAM



Ordering Guide

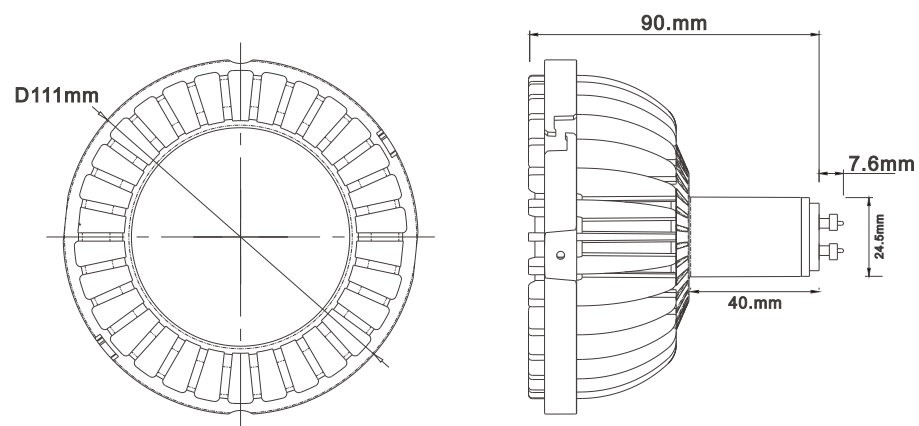
Product Code	MX-AR111-GU10-18W	MX-AR111-GU10-20W	MX-AR111-GU10-25W
Power	18W	20W	25W
Input Voltage	AC85~265V	AC85~265V	AC85~265V
LEDs	16pcs 3030 SMD	18pcs 3030 SMD	24pcs 3030 SMD
Lumen Output	1600~1800lm	1900~2000lm	2300~2500lm
Housing Color	Silver / White / Black	Silver / White / Black	Silver / White / Black
Beam Angle	10°/15°/25°/45°/60°	10°/15°/25°/45°/60°	10°/15°/25°/45°/60°
Power Factor	>0.92	>0.92	>0.92
Color Temp.	2800~3200K	2800~3200K	2800~3200K
	4000~4500K	4000~4500K	4000~4500K
	5700~6500K	5700~6500K	5700~6500K
CRI	>80 / >90	>80 / >90	>80 / >90
Dimension	D111xH70mm	D111xH70mm	D111xH70mm
Warranty	3Y ears	3Y ears	3Y ears

P3



LED AR111 GX8.5 Lamp

**PHILIPS
OSRAM**



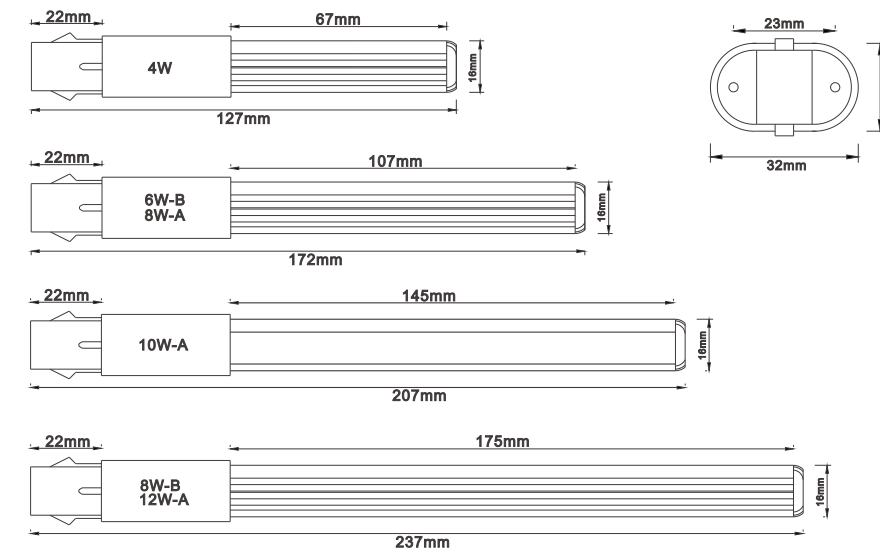
Ordering Guide

Product Code	MX-AR111-GX8.5-18W	MX-AR111-GX8.5-20W	MX-AR111-GX8.5-25W
Power	18W	20W	25W
Input Voltage	AC 85~265V	AC 85~265V	AC 85~265V
LEDs	16pcs 3030 SMD	18pcs 3030 SMD	24pcs 3030 SMD
Lumen Output	1600~1800lm	1900~2000lm	2300~2500lm
Housing Color	Silver / White / Black	Silver / White / Black	Silver / White / Black
Beam Angle	10°/15°/25°/45°/60°	10°/15°/25°/45°/60°	10°/15°/25°/45°/60°
Power Factor	>0.92	>0.92	>0.92
Color Temp.	2800~3200K	2800~3200K	2800~3200K
	4000~4500K	4000~4500K	4000~4500K
	5700~6500K	5700~6500K	5700~6500K
CRI	>80 / >90	>80 / >90	>80 / >90
Dimension	D111xH90mm	D111xH90mm	D111xH90mm
Warranty	3Y ears	3Y ears	3Y ears

P4



G23 GX23 Lamp A/B



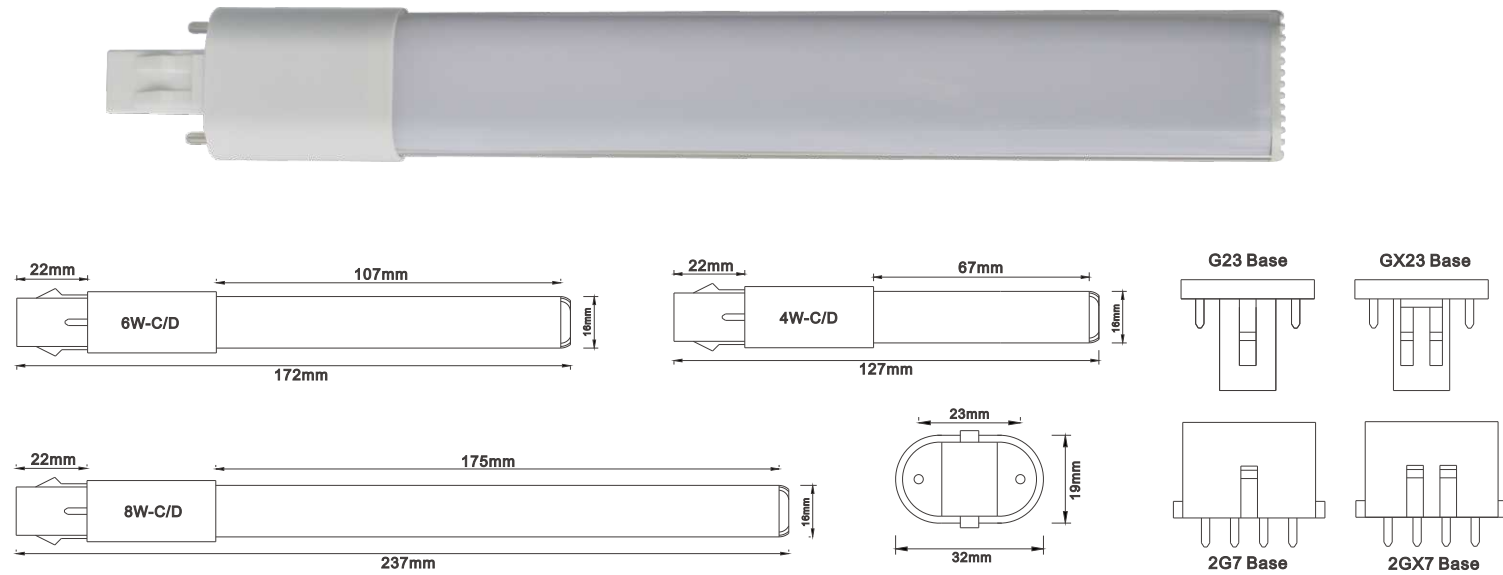
Ordering Guide

Product Code	MX-G23-4W-B	MX-G23-6W-B	MX-G23-8W-B	MX-G23-8W-A	MX-G23-10W-A	MX-G23-12W-A
Power	4W	6W	8W	8W	10W	12W
Input Voltage	85~265VAC	85~265VAC	85~265VAC	85~265VAC	85~265VAC	85~265VAC
LED Qty	18pcs 2835 SMD	28pcs 2835 SMD	35pcs 2835 SMD	56pcs 2835 SMD	60pcs 2835 SMD	70pcs 2835 SMD
Lumen Output	320~380lm	450~520lm	650~720lm	900~1000lm	1000~1200lm	1200~1300lm
Base Type	G23 /GX23	G23 /GX23	G23 /GX23	G23 /GX23	G23 /GX23	G23 /GX23
Compatible Electronic Ballast or Not	Yes (option)	Yes (option)	Yes (option)	Yes (option)	Yes (option)	Yes (option)
Material	AL+PC	AL+PC	AL+PC	Extra Thicken AL+PC	Extra Thicken AL+PC	Extra Thicken AL+PC
Power Factor	>0.6 />0.9	>0.6 />0.9	>0.6 />0.9	>0.6 />0.9	>0.6 />0.9	>0.6 />0.9
Color Temp.	2800~6500K	2800~6500K	2800~6500K	2800~6500K	2800~6500K	2800~6500K
Cover Type	Milky /Transparent	Milky /Transparent	Milky /Transparent	Milky /Transparent	Milky /Transparent	Milky /Transparent
CRI	>80	>80	>80	>80	>80	>80
Dimension	127x32x19mm	167x32x19mm	237x32x19mm	167x32x19mm	207x32x19mm	237x32x19mm
Net Weight	70g	91g	118g	90g	110g	125g
Warranty	3Years	3Years	3Years	3Years	3Years	3Years

P5



G23 GX23 Lamp C/D



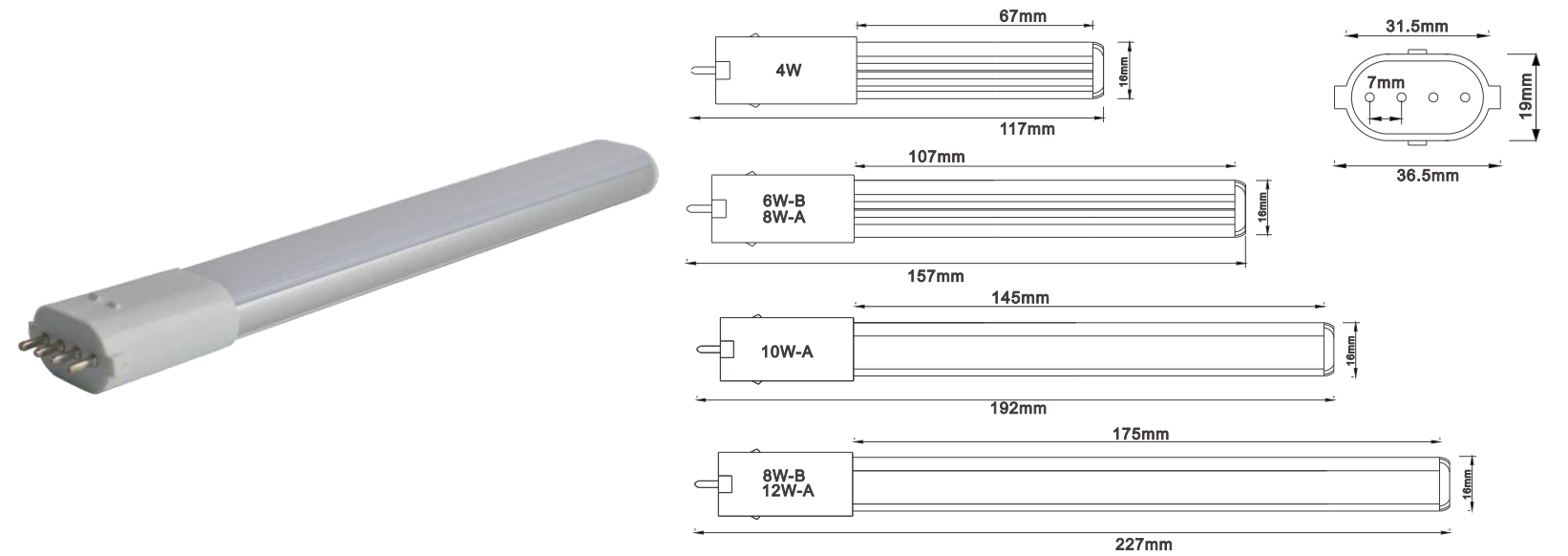
Ordering Guide

Product Code	MX-G23-4W-C	MX-G23-8W-C	MX-G23-8W-C	MX-G23-4W-D	MX-G23-6W-D	MX-G23-8W-D
Power	4W	6W	8W	4W	6W	8W
Input Voltage	180-240VAC	180-240VAC	180-240VAC	180-240VAC	180-240VAC	180-240VAC
LED Qty	36pcs 2835 SMD	56pcs 2835 SMD	70pcs 2835 SMD	18pcs 2835 SMD	28pcs 2835 SMD	35pcs 2835 SMD
Lumen Output	320~380lm	450~520lm	650~720lm	320~380lm	450~520lm	650~720lm
Base Type	G23 /GX23	G23 /GX23	G23 /GX23	G23 /GX23	G23 /GX23	G23 /GX23
Beam Angle	360°	360°	360°	180°	180°	180°
Material	AL+PC	AL+PC	AL+PC	AL+PC	AL+PC	AL+PC
Power Factor	>0.6 />0.9	>0.6 />0.9	>0.6 />0.9	>0.6 />0.9	>0.6 />0.9	>0.6 />0.9
Color Temp.	2800~6500K	2800~6500K	2800~6500K	2800~6500K	2800~6500K	2800~6500K
Cover Type	Milky /Trans parent	Milky /Trans parent	Milky /Trans parent	Milky /Trans parent	Milky /Trans parent	Milky /Trans parent
CRI	>80	>80	>80	>80	>80	>80
Dimension	127x32x19mm	167x32x19mm	237x32x19mm	167x32x19mm	207x32x19mm	237x32x19mm
Net Weight	60g	75g	90g	60g	75g	90g
Warranty	3Years	3Years	3Years	3Years	3Years	3Years

P6



2G7 2GX7 Lamp A/B



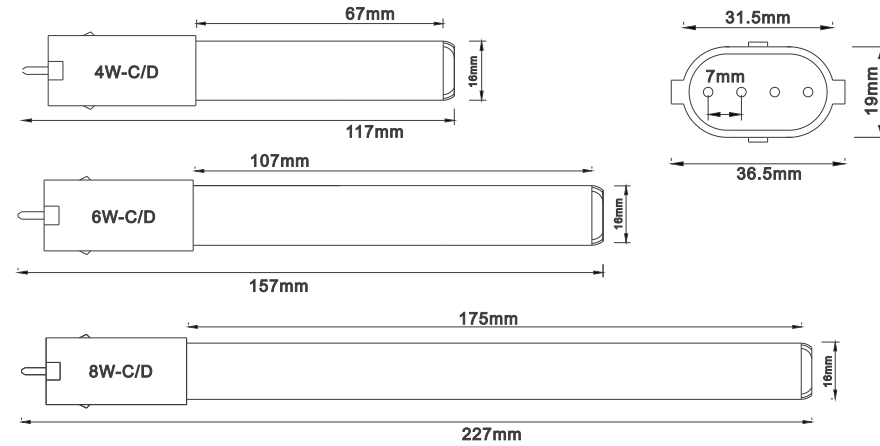
Ordering Guide

Product Code	MX-2G7-4W-B	MX-2G7-6W-B	MX-2G7-8W-B	MX-2G7-8W-A	MX-2G7-10W-A	MX-2G7-12W-A
Power	4W	6W	8W	8W	10W	12W
Input Voltage	85~265VAC	85~265VAC	85~265VAC	85~265VAC	85~265VAC	85~265VAC
LED Qty	18pcs 2835 SMD	28pcs 2835 SMD	35pcs 2835 SMD	56pcs 2835 SMD	60pcs 2835 SMD	70pcs 2835 SMD
Lumen Output	320~380lm	450~520lm	650~720lm	900~1000lm	1000~1200lm	1200~1300lm
Base Type	2G7 / 2GX7	2G7 / 2GX7	2G7 / 2GX7	2G7 / 2GX7	2G7 / 2GX7	2G7 / 2GX7
Beam Angle	180°	180°	180°	180°	180°	180°
Material	AL+PC	AL+PC	AL+PC	Extra Thicken AL+PC	Extra Thicken AL+PC	Extra Thicken AL+PC
Power Factor	>0.6 />0.9	>0.6 />0.9	>0.6 />0.9	>0.6 />0.9	>0.6 />0.9	>0.6 />0.9
Color Temp.	2800~6500K	2800~6500K	2800~6500K	2800~6500K	2800~6500K	2800~6500K
Cover Type	Milky / Transparent	Milky / Transparent	Milky / Transparent	Milky / Transparent	Milky / Transparent	Milky / Transparent
CRI	>80	>80	>80	>80	>80	>80
Dimension	117x31.5x19mm	157x31.5x19mm	227x31.5x19mm	157x31.5x19mm	192x31.5x19mm	227x31.5x19mm
Net Weight	70g	91g	118g	90g	110g	125g
Warranty	3Years	3Years	3Years	3Years	3Years	3Years

P7



2G7 2GX7 Lamp C/D



Ordering Guide

Product Code	MX-2G7-4W-C	MX-2G7-8W-C	MX-2G7-8W-C	MX-2G7-4W-D	MX-2G7-6W-D	MX-2G7-8W-D
Power	4W	6W	8W	4W	6W	8W
Input Voltage	180-240VAC	180-240VAC	180-240VAC	180-240VAC	180-240VAC	180-240VAC
LED Qty	36pcs 2835 SMD	56pcs 2835 SMD	70pcs 2835 SMD	18pcs 2835 SMD	28pcs 2835 SMD	35pcs 2835 SMD
Lumen Output	320~380lm	450~520lm	650~720lm	320~380lm	450~520lm	650~720lm
Base Type	2G7 / 2GX7	2G7 / 2GX7	2G7 / 2GX7	2G7 / 2GX7	2G7 / 2GX7	2G7 / 2GX7
Beam Angle	360°	360°	360°	180°	180°	180°
Material	AL+PC	AL+PC	AL+PC	AL+PC	AL+PC	AL+PC
Power Factor	>0.6 / >0.9	>0.6 / >0.9	>0.6 / >0.9	>0.6 / >0.9	>0.6 / >0.9	>0.6 / >0.9
Color Temp.	2800~6500K	2800~6500K	2800~6500K	2800~6500K	2800~6500K	2800~6500K
Cover Type	Milky / Transparent	Milky / Transparent	Milky / Transparent	Milky / Transparent	Milky / Transparent	Milky / Transparent
CRI	>80	>80	>80	>80	>80	>80
Dimension	117x31.5x19mm	157x31.5x19mm	227x31.5x19mm	117x31.5x19mm	157x31.5x19mm	227x31.5x19mm
Net Weight	60g	75g	90g	60g	75g	90g
Warranty	3Years	3Years	3Years	3Years	3Years	3Years

P8



G24 Lamp



Ordering Guide

Product Code	MX-G 24-6W -A	MX-G 24-8W -A	MX-G 24-11W -A	MX-G 24-13W -A
Power	6W	8W	11W	13W
Input Voltage	85~265VAC	85~265VAC	85~265VAC	85~265VAC
LED Qty	30pcs 2835 SMD	40pcs 2835 SMD	55pcs 2835 SMD	65pcs 2835 SMD
Lumen Output	530~650lm	720~850lm	1000~1200lm	1200~1400lm
Base Type	G 24d/ G 24q/ E 27/ G 23	G 24d/ G 24q/ E 27/ G 23	G 24d/ G 24q/ E 27/ G 23	G 24d/ G 24q/ E 27/ G 23
Beam Angle	150°	150°	150°	150°
Compatible Electronic Ballast or Not	Yes (option)	Yes (option)	Yes (option)	Yes (option)
Material	AL+PC	AL+PC	AL+PC	AL+PC
Power Factor	>0.6 / >0.9	>0.6 / >0.9	>0.6 / >0.9	>0.6 / >0.9
Color Temp.	2800~6500K	2800~6500K	2800~6500K	2800~6500K
Cover Type	Transparent / Milky	Transparent / Milky	Transparent / Milky	Transparent / Milky
CRI	>80	>80	>80	>80
Dimension	125x39.5x35mm	125x39.5x35mm	145x39.5x35mm	175x39.5x35mm
Net Weight	120g	120g	138g	160g

P9



Corn Light G24d G24q Gx24d GX24q GU24



G24d/q:
 5-8W:113mm
 10-12W:146mm
 13-16W:162mm
 17-20W:183mm

GX24d/q:
 5-8W:104mm
 10-12W:140mm
 13-16W:156mm
 17-20W:177mm

E27:
 5-8W:125mm
 10-12W:158mm
 13-16W:174mm
 17-20W:195mm

Gu24:
 5-8W:102mm
 10-12W:135mm
 13-16W:151mm
 17-20W:172mm

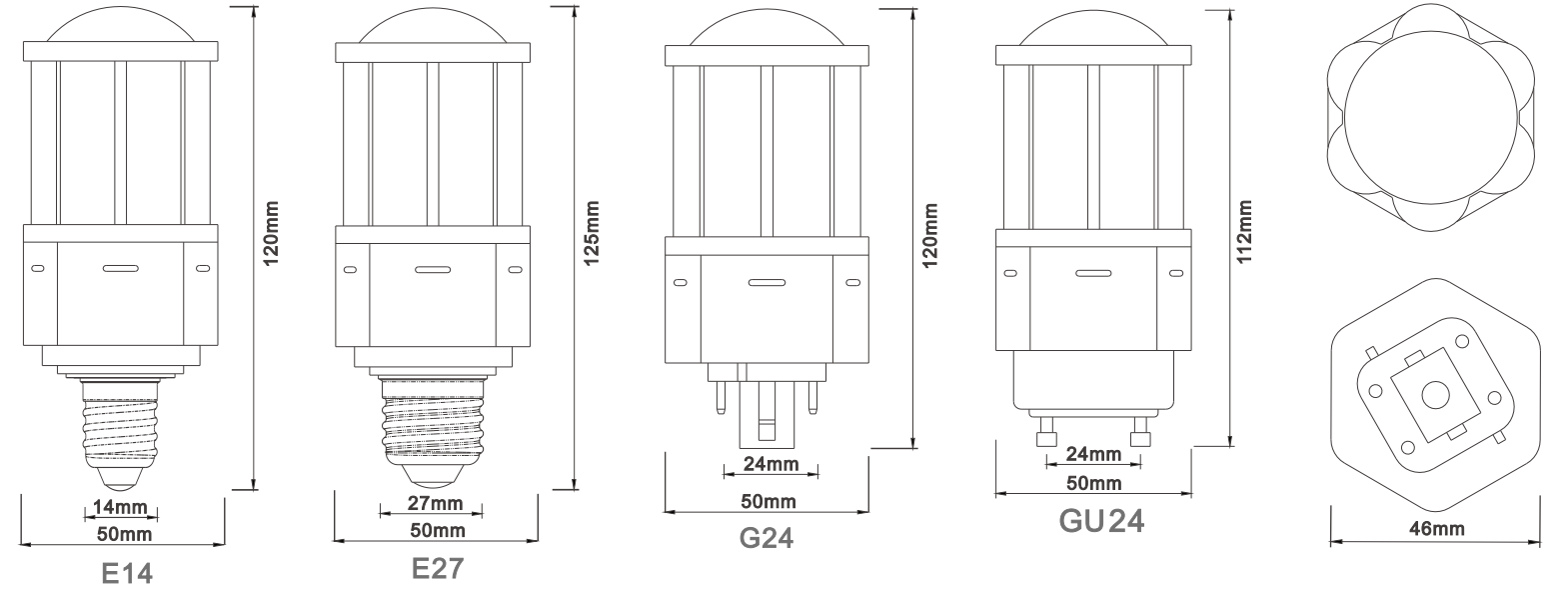
Ordering Guide

Product Code	MX-PLC-9W	MX-PLC-13W	MX-PLC-16W	MX-PLC-20W
Power	9W	13W	16W	20W
Input Voltage	85-265VAC	85-265VAC	85-265VAC	85-265VAC
LED Qty	63pcs 2835 SMD	84pcs 2835 SMD	112pcs 2835 SMD	140pcs 2835 SMD
Lumen Output	800~850lm	1100~1250lm	1400~1550lm	1800~1900lm
Base Type	G24 / GX24 / E14 / E27 / GU24	G24 / GX24 / E14 / E27 / GU24	G24 / GX24 / E14 / E27 / GU24	G24 / GX24 / E14 / E27 / GU24
Beam Angle	360°	360°	360°	360°
Material	AL+PC	AL+PC	AL+PC	AL+PC
Power Factor	>0.6 / >0.9	>0.6 / >0.9	>0.6 / >0.9	>0.6 / >0.9
Color Temp.	2800~6500K	2800~6500K	2800~6500K	2800~6500K
Cover Type	Milky / Transparent	Milky / Transparent	Milky / Transparent	Milky / Transparent
CRI	>80	>80	>80	>80
Dimension	120x46x50mm	130x46x50mm	140x46x50mm	150x46x50mm
Net Weight	110g	135g	160g	190g
Warranty	3Years	3Years	3Years	3Years

P10



Corn Light G24d G24q Gx24d GX24q GU24



P11

产品图片
Product pictures



工厂实景
Factory Tour



AUGE

www.auge-led.com
info@auge-led.com